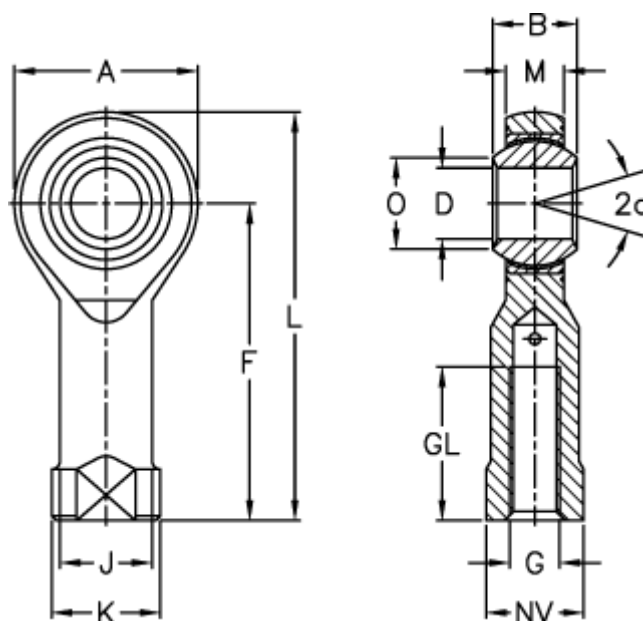


Article number: 03013012125
 Description: Fluro Rod End GIRSW 12 12x1,25
 Housing stainless steel

Measures



A	= 32	J	= 17.5	Weight (g) = 115
a (degrees)	= 13	K	= 22	
B	= 16	L	= 66	
D	= 12	M	= 12	
Dynamic load C (kN)	= 32	NV	= 19	
F	= 50	O	= 15.4	
G	= M12x1,25	Permissible rpm	= 300	
GL	= 22	Static load C0 (kN)	= 34.5	